



TECHNICAL DATA / FEATURES

- dimensions: $\phi 180 \times 69$
- light functions: driving, parking
- function markings: HR, A
- maximum power: 27W, 3W
- nominal voltage: 12V-24V DC
- permissible power supply voltage: 10.5V-30V DC
- reference mark: 25
- source of light: 6 x LED
- IP rating: IP67, IP69K
- work temperature: $-40^{\circ}\text{C} - +80^{\circ}\text{C}$
- housing's material: aluminium
- lens' material: glass
- built-in connectors: -
- other: protection:
 - against overheating
 - against reverse polarisation
- screws made of Inox steel



ADDITIONAL INFORMATION

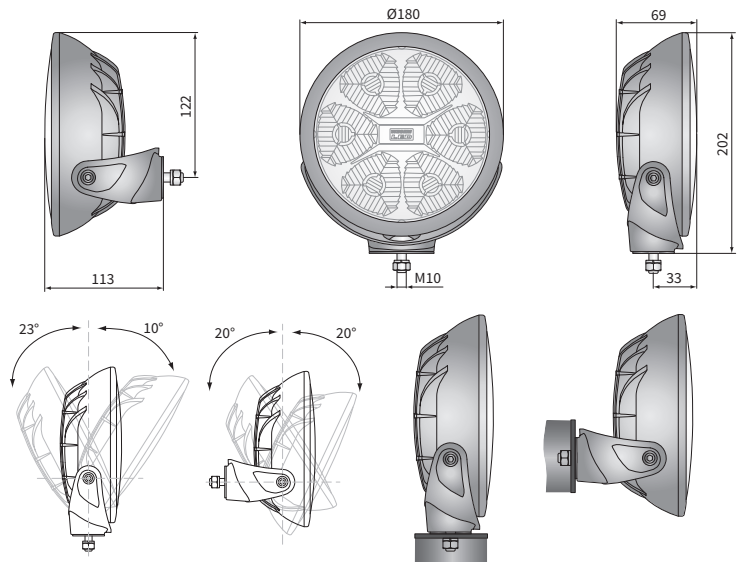
Stylish and robust lamps dedicated for trucks.
LED technology used in driving and position light guarantees the highest efficiency.

The lamps comply with EMC Directive 2004/108/EC. They do not emit electromagnetic interference as well as they are resistant to it's influence.
Correct polarity required.

Mounting: as a freestanding or on vertical body work panels.
It is possible to install needed connectors on wire (on request).

Equivalents for Hella:
LUM2.51200 - 1F3 011 815-001
LUM2.51210 - 1F3 011 815-011

DIMENSIONS



Cat. number	Homologation code	Light functions		Reference mark	IP rating	Accessories	Connectors	AMP Faston 250	Deutsich DT	AMP SuperSeal 1.5
		driving	parking							
LUM2.51200	086	✓	✓	25	IP67	LED module 12V-24V	AMP Faston 250	Deutsich DT	AMP SuperSeal 1.5	
LUM2.51210	086	✓	✓	25	IP69K	light cover	AMP Faston 250	Deutsich DT	AMP SuperSeal 1.5	

